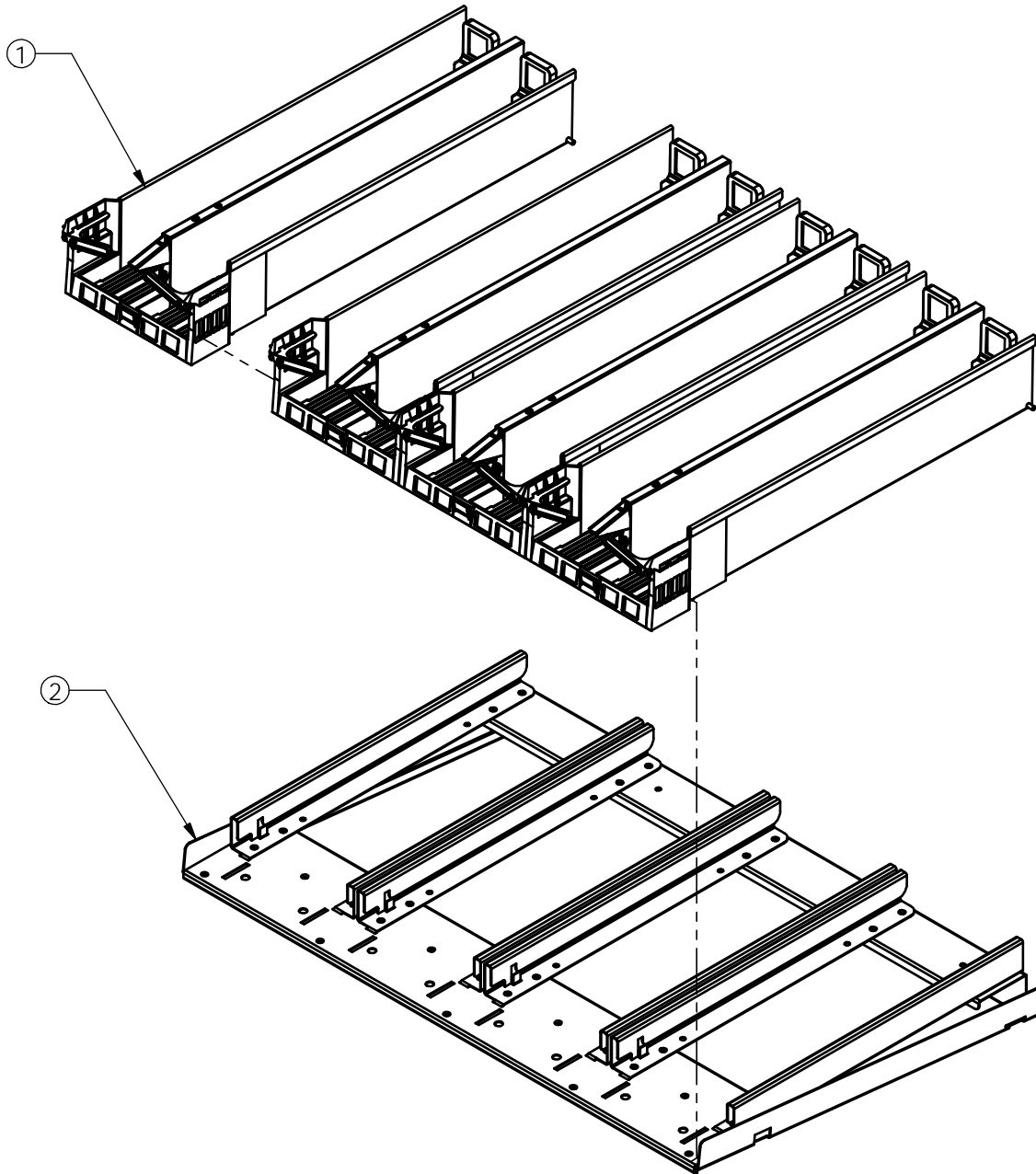




**VUE[®] 30
40**

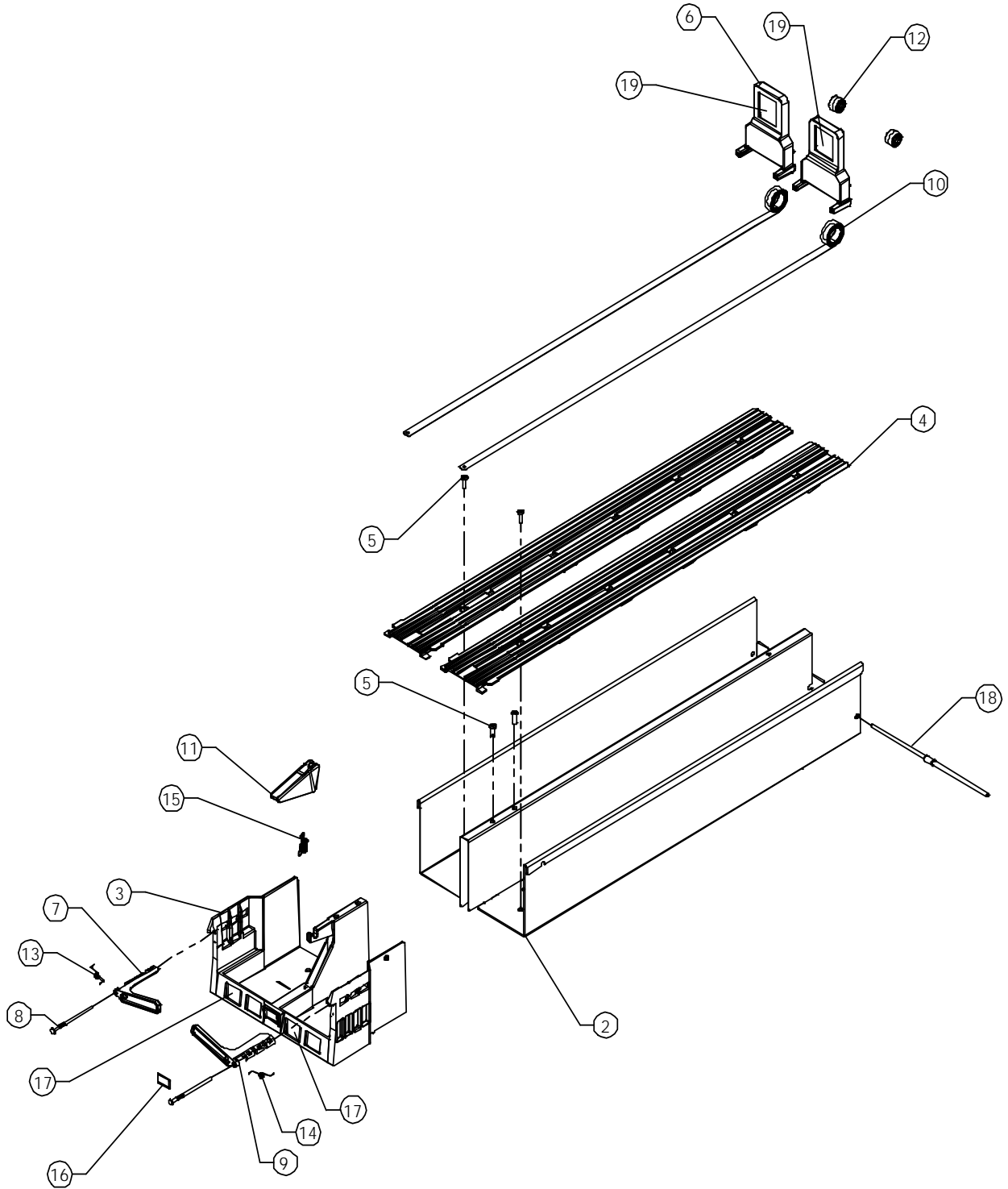
SXY

**SHELVES & TRAYS
PARTS SECTION**



SHELF AND TRAY ASSEMBLY

ITEM NO	DESCRIPTION	QTY	PART NO
1	TRAY ASSEMBLY	1	1133755
2	SHELF ASSEMBLY, 41.5"	A/R	1125195
	SHELF ASSEMBLY, 34"	A/R	1136835





TRAY ASSEMBLY

ITEM	DESCRIPTION	QTY.	PART NO.
1	TRAY ASSEMBLY	1	1133755
2	TRAY BODY ASSEMBLY	1	1131291
3	TRAY FRONT	1	1133109
4	PRODUCT SLIDER, TRAY	2	1125141
5	SCREW #8-10 X 1/2" PAN HEAD	4	V802214
6	PUSHER, TRAY ASSY	2	1125140
7	GATE, LEFT, TRAY ASSY	1	1128285
8	PIN, PIVOT, TRAY FRONT	2	1125192
9	GATE, RIGHT, TRAY ASSY	1	1128284
10	SPRING, PUSHER, TRAY ASSY	2	1159665
11	GATE, CENTER, TRAY ASSY	1	1125737
12	ROLLER, SPRING	2	1125821
13	SPRING, TORSION, LEFT	1	1125856
14	SPRING, TORSION, RIGHT	1	1125856-1
15	SPRING, TENSION	1	1060023
16	REFLECTOR, TRAY ASSY	1	1126341
17	PRODUCT NUMBER LABEL	1	1139095
18	STOP ROD	1	1131897
19	SELECTION LABELS	1	1166633



NOTES